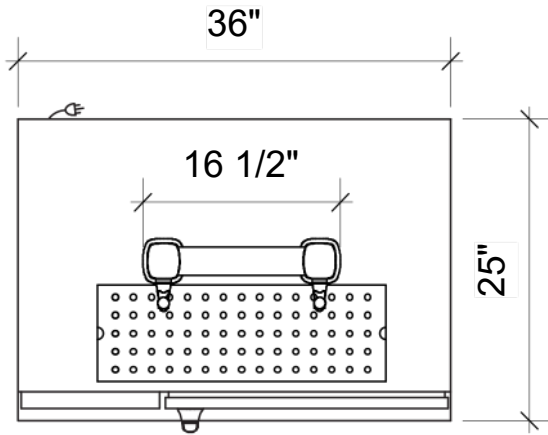
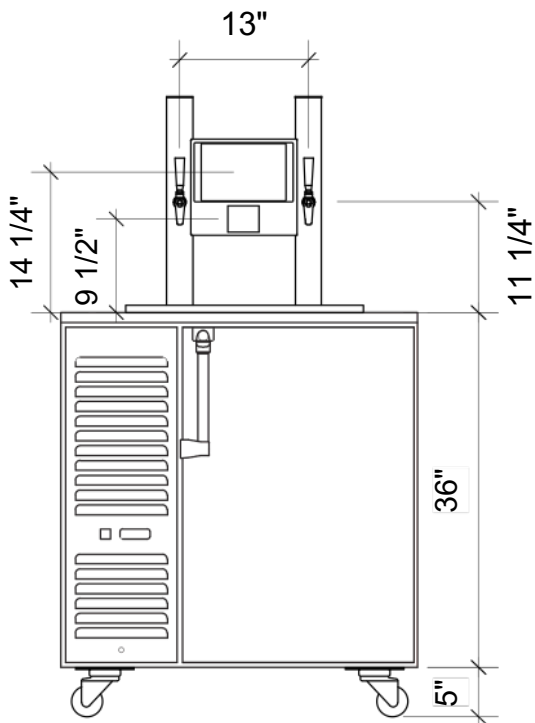


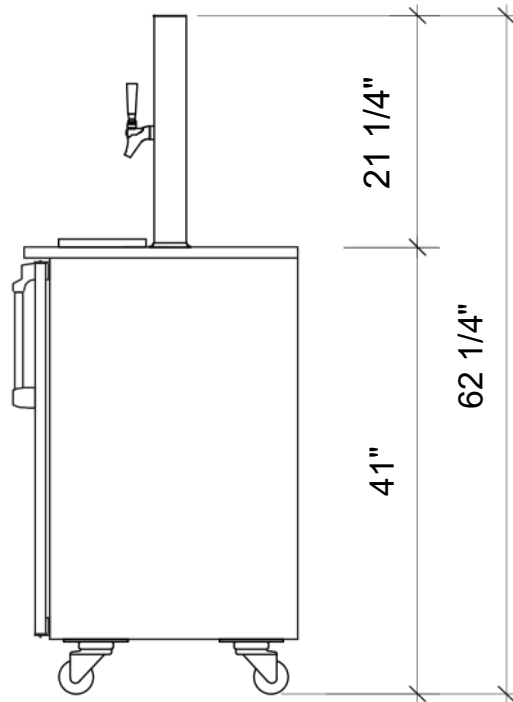
2-Tap Self-Pour Station Specs



TOP



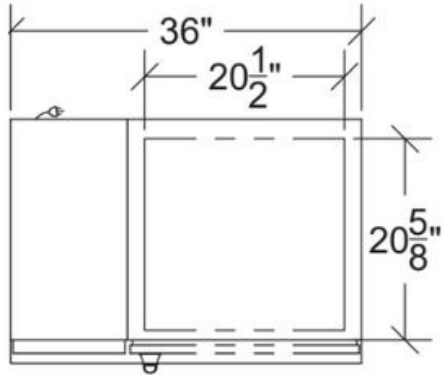
FRONT



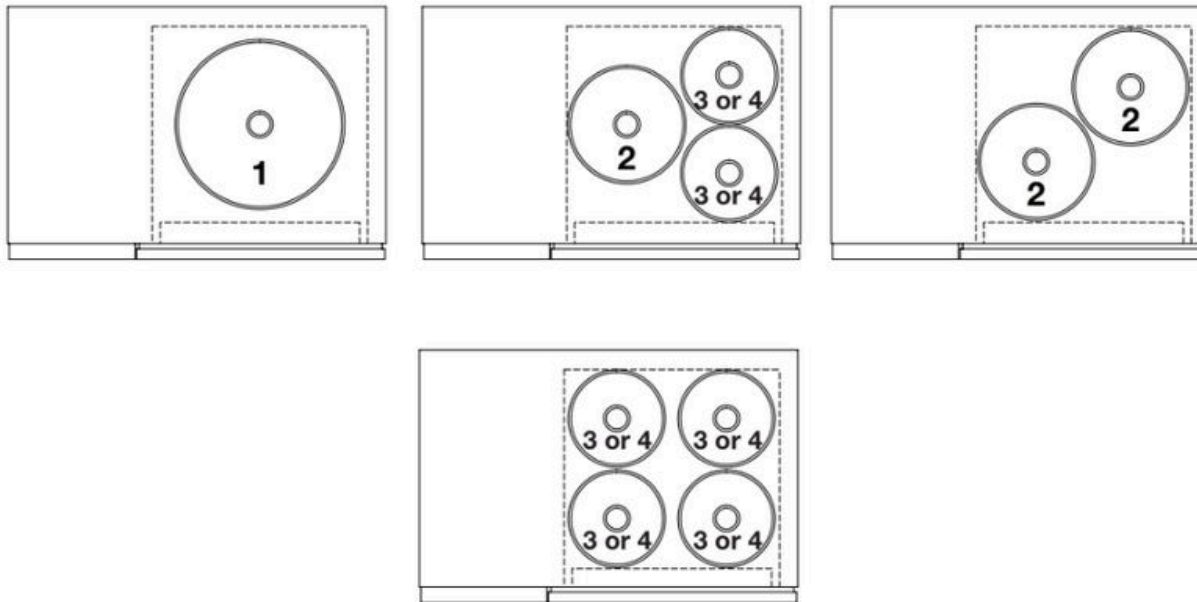
SIDE



2-Tap Self-Pour Station Keg Capacity



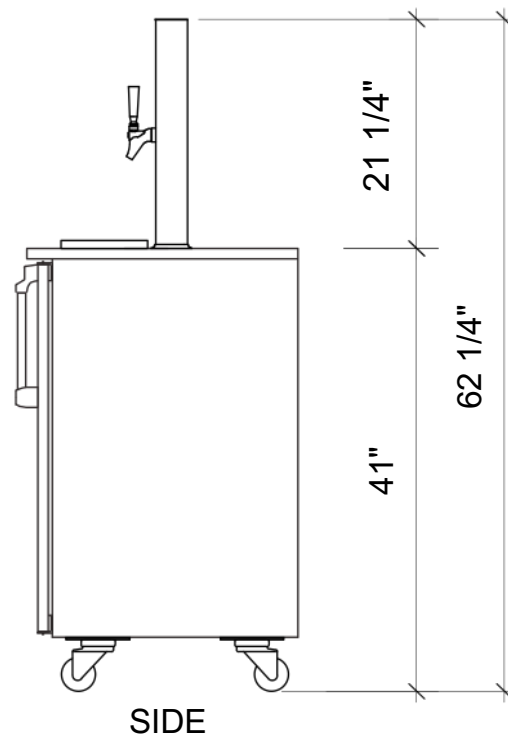
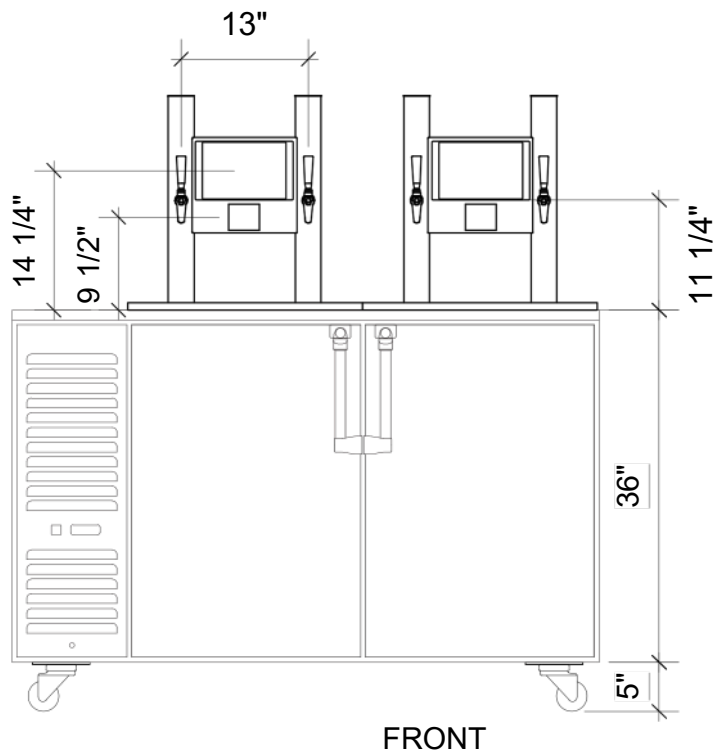
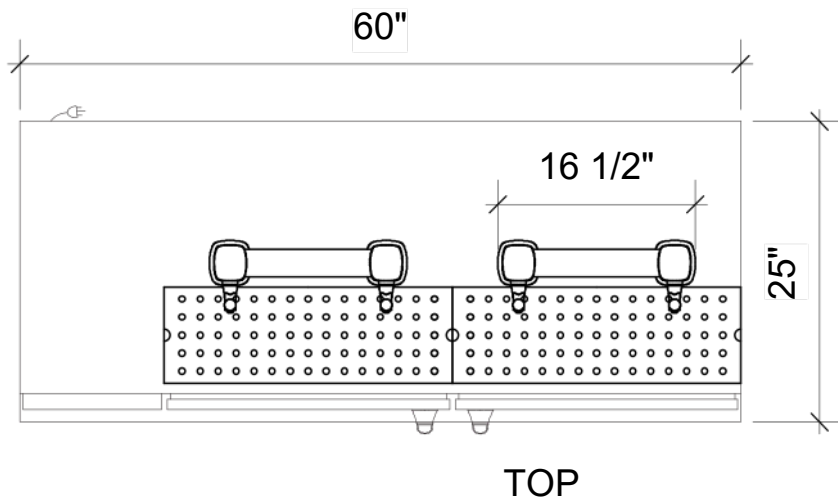
20" x 20-5/8" Inside Cabinet



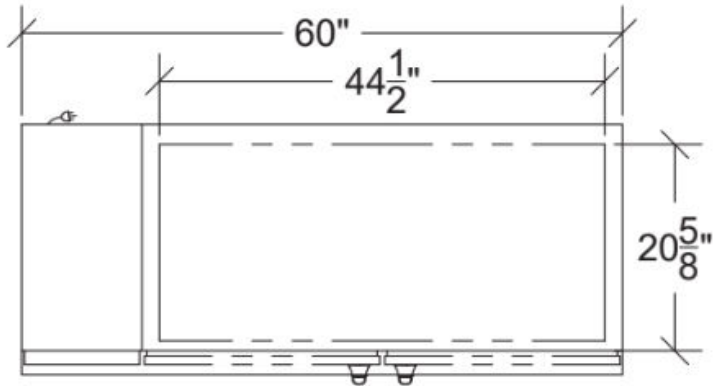
Keg Guide

- 1 = Typical Half Barrel
- 2 = Typical Quarter Barrel
- 3 = Typical Sixth Barrel
- 4 = Typical Corny Keg

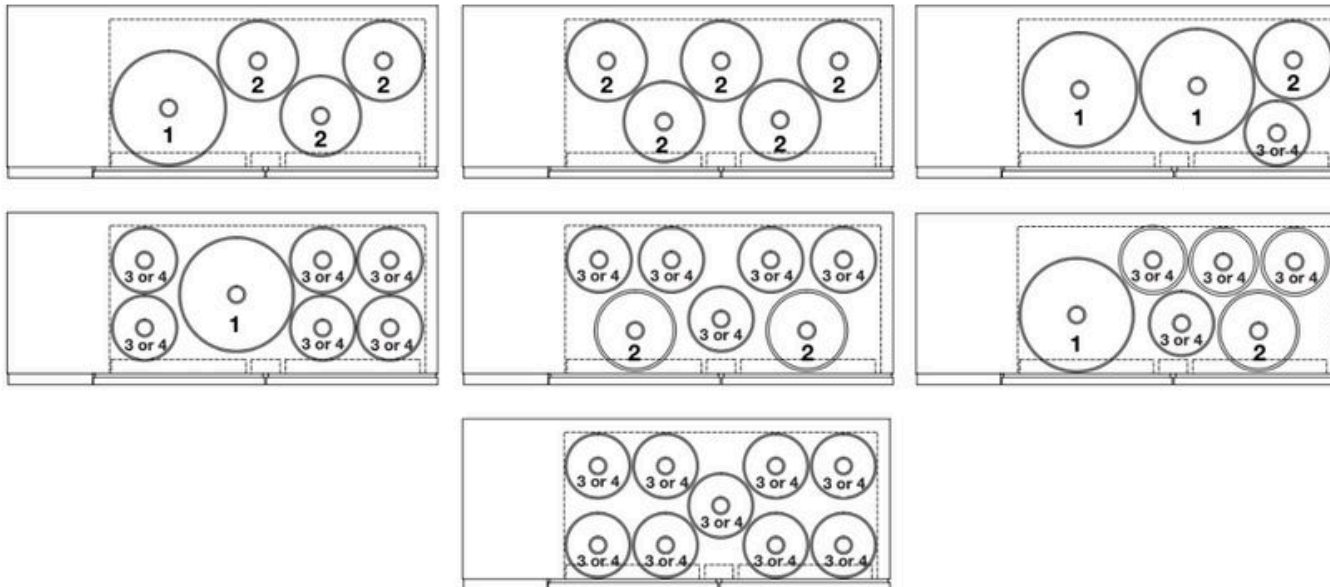
4-Tap Self-Pour Station Specs



4-Tap Self-Pour Station Keg Capacity



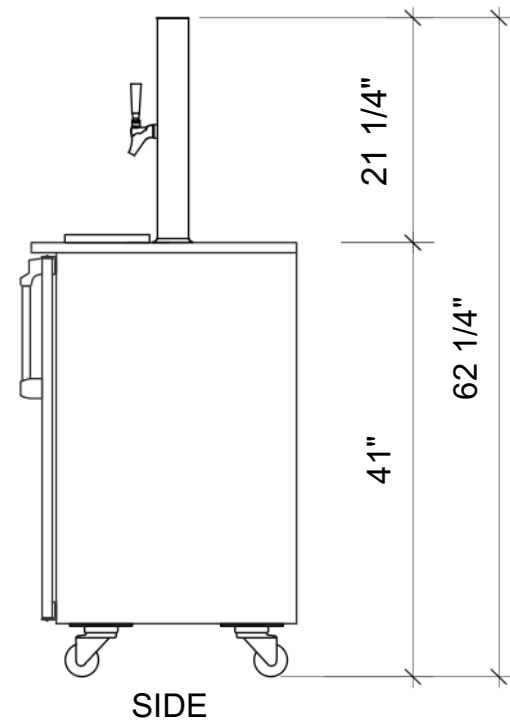
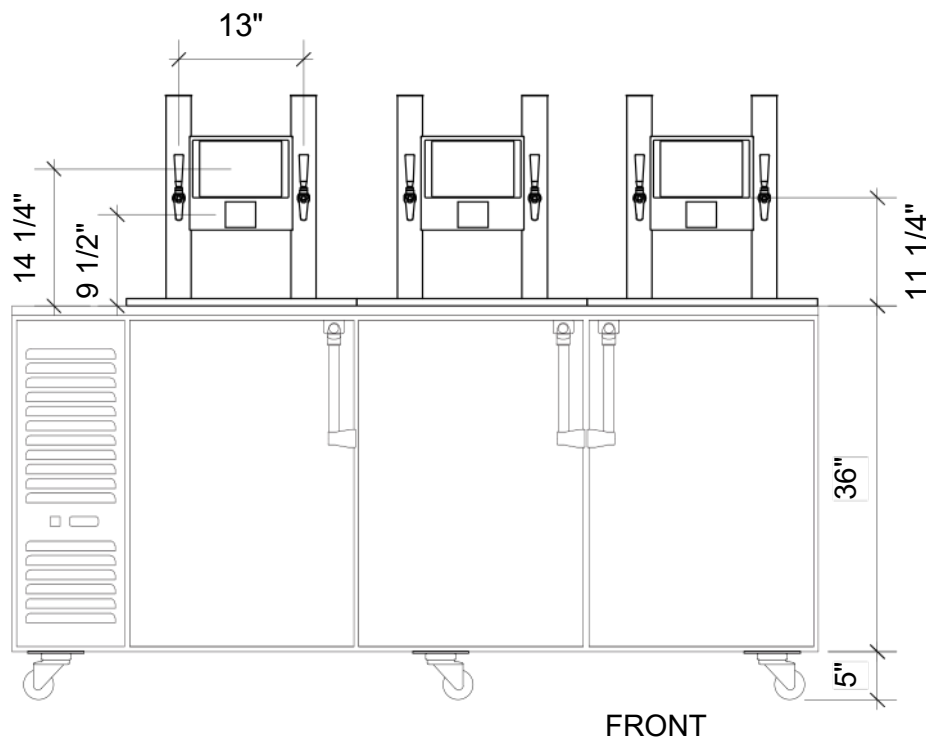
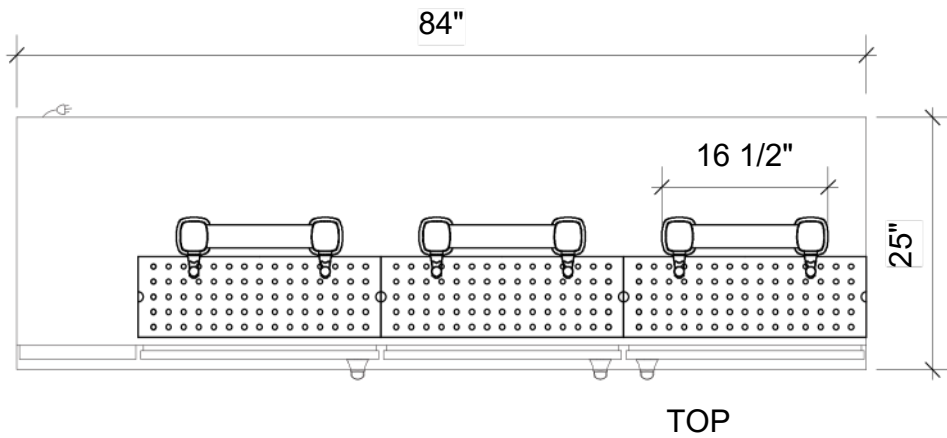
44-1/2" x 20-5/8" Inside Cabinet



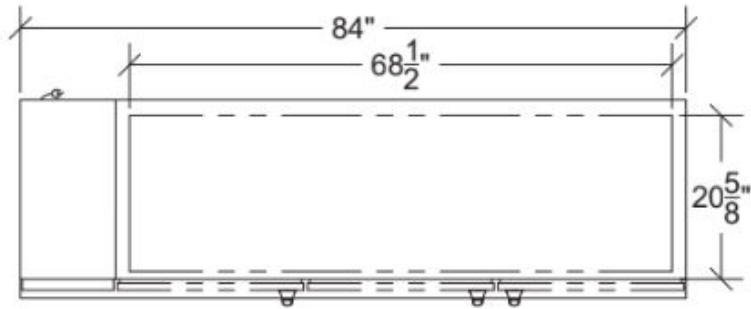
Keg Guide

- 1 = Typical Half Barrel
- 2 = Typical Quarter Barrel
- 3 = Typical Sixth Barrel
- 4 = Typical Corny Keg

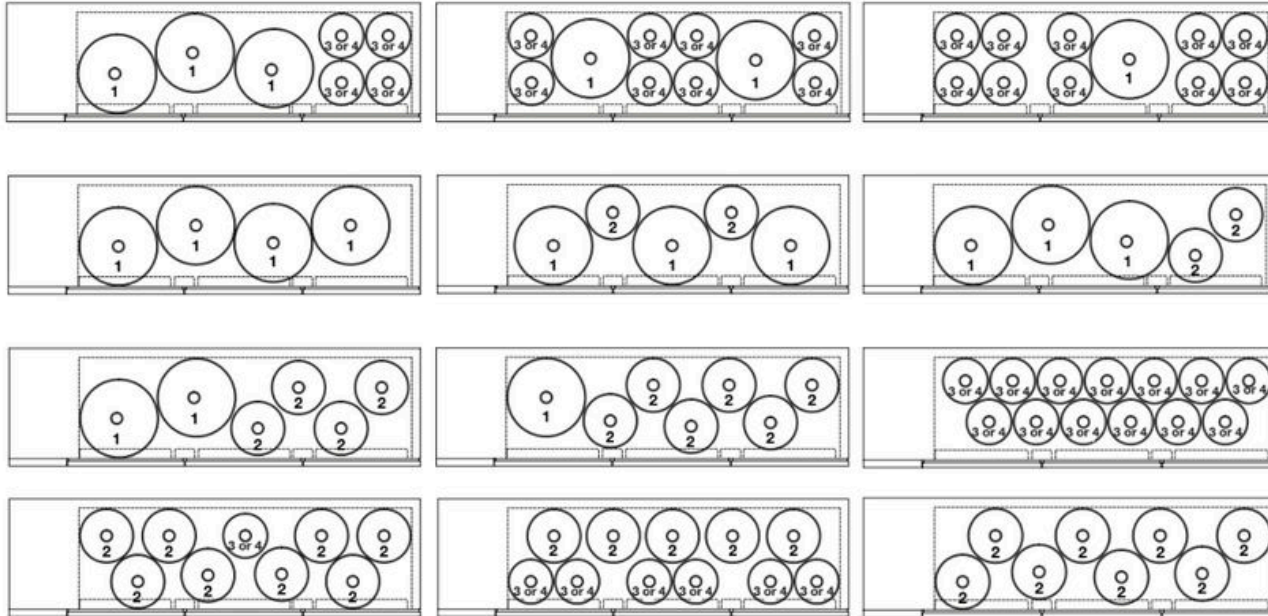
6-Tap Self-Pour Station Specs



6-Tap Self-Pour Station Keg Capacity



68-1/2" x 20-5/8" Inside Cabinet



Keg Guide

- 1 = Typical Half Barrel
- 2 = Typical Quarter Barrel
- 3 = Typical Sixth Barrel
- 4 = Typical Corny Keg